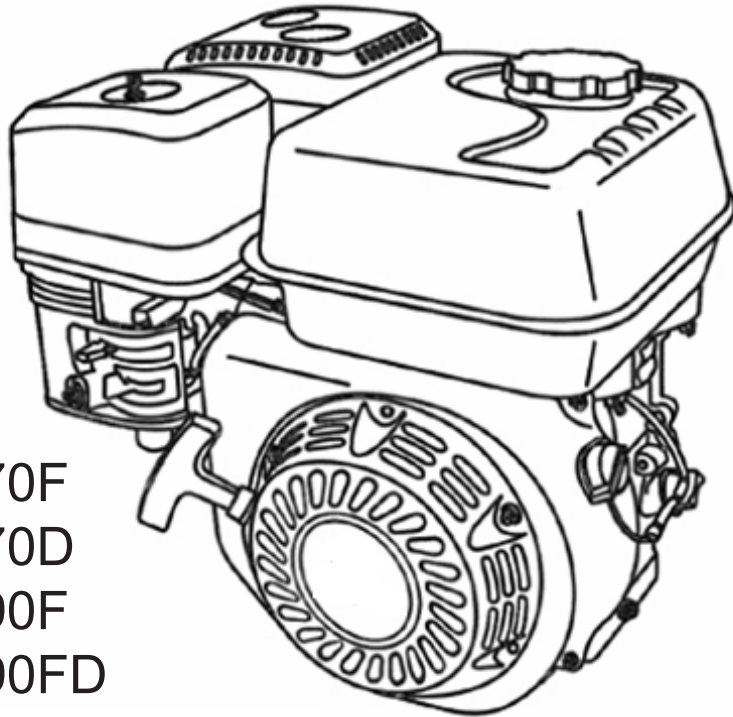


DRAWING OF ENGINE



G270F
G270D
G390F
G390FD

Instruction for use of parts catalogue

This parts catalogue was prepared based on the latest information available as of August 2004.

See the parts catalogue news for any revision that is made after August 2004.

Always specify the part number when ordering a part.

Note that the illustrations can differ from the actual parts in shape.

When modifications or additions to this parts catalogue are made , a revised edition will be issued at an appropriate time, We recommend obtaining such revisions in order to keep your parts catalogue up-to-date at all times. To check whether a catalogue revision has been issued, please contact your LONCIN distributor.

Example

| No. | Part No. | Description | Reqd. QTY | | |
|-----|------------|-----------------------|-------------------|-----|--|
| | | | LC173F (G240F) | ... | |
| 10 | 115303-154 | GROMMET , AIR CLEANER | 1 | ... | |
| | 115303-159 | GROMMET , AIR CLEANER | — | ... | |
| 12 | 115000-154 | COVER , AIR CLEANER | 1(—) | ... | |
| 13 | 115000-154 | COVER , AIR CLEANER | —(1) | ... | |

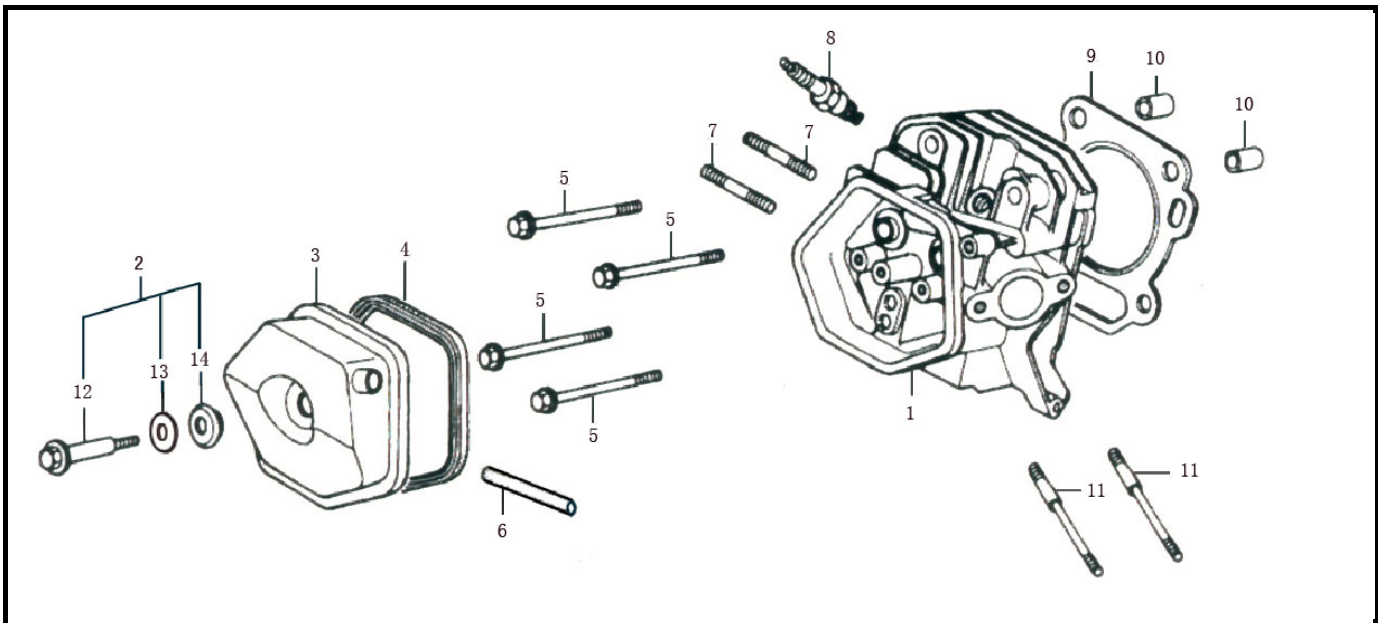
[LC173F(G240F) means LC173F and G240F]

1 means LC173F require 1 QTY and G240F require 1 QTY]

— means LC173F require 0 QTY and G240F require 0 QTY]

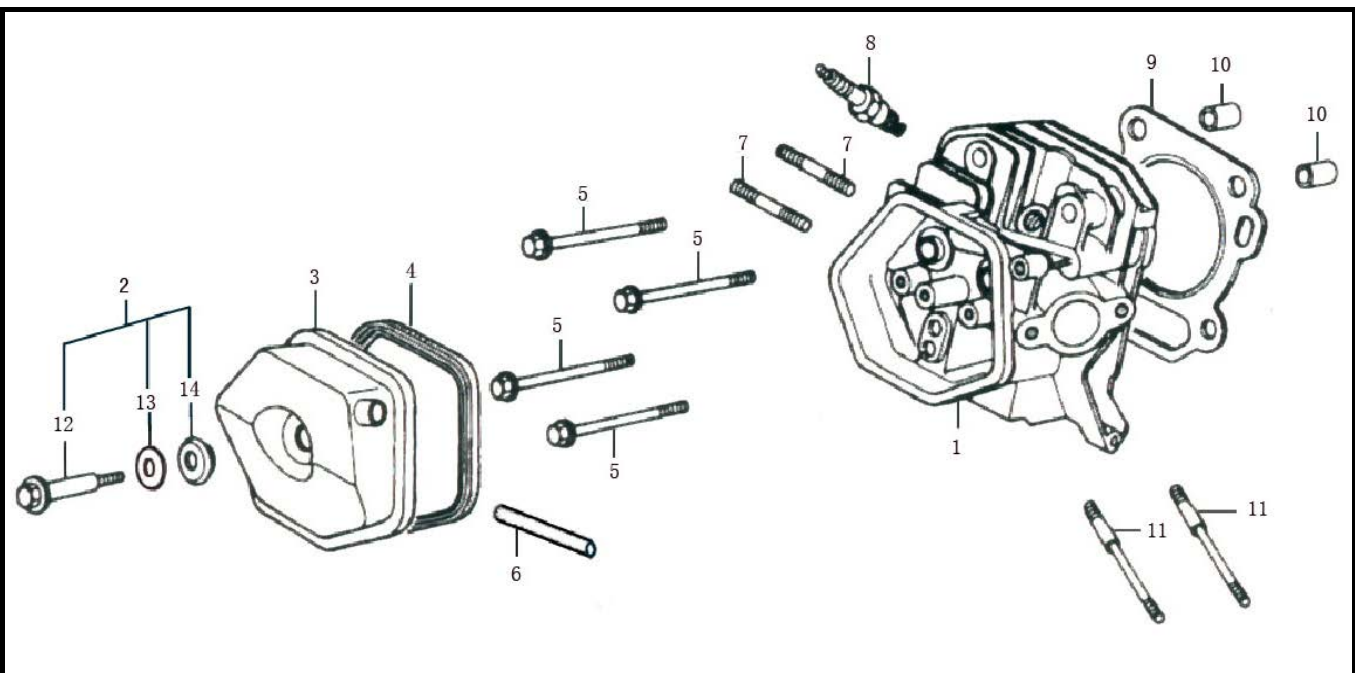
1(—) means LC173F require 1 QTY and G240F require 0 QTY]

—(1) means LC173F require 0 QTY and G240F require 1 QTY]



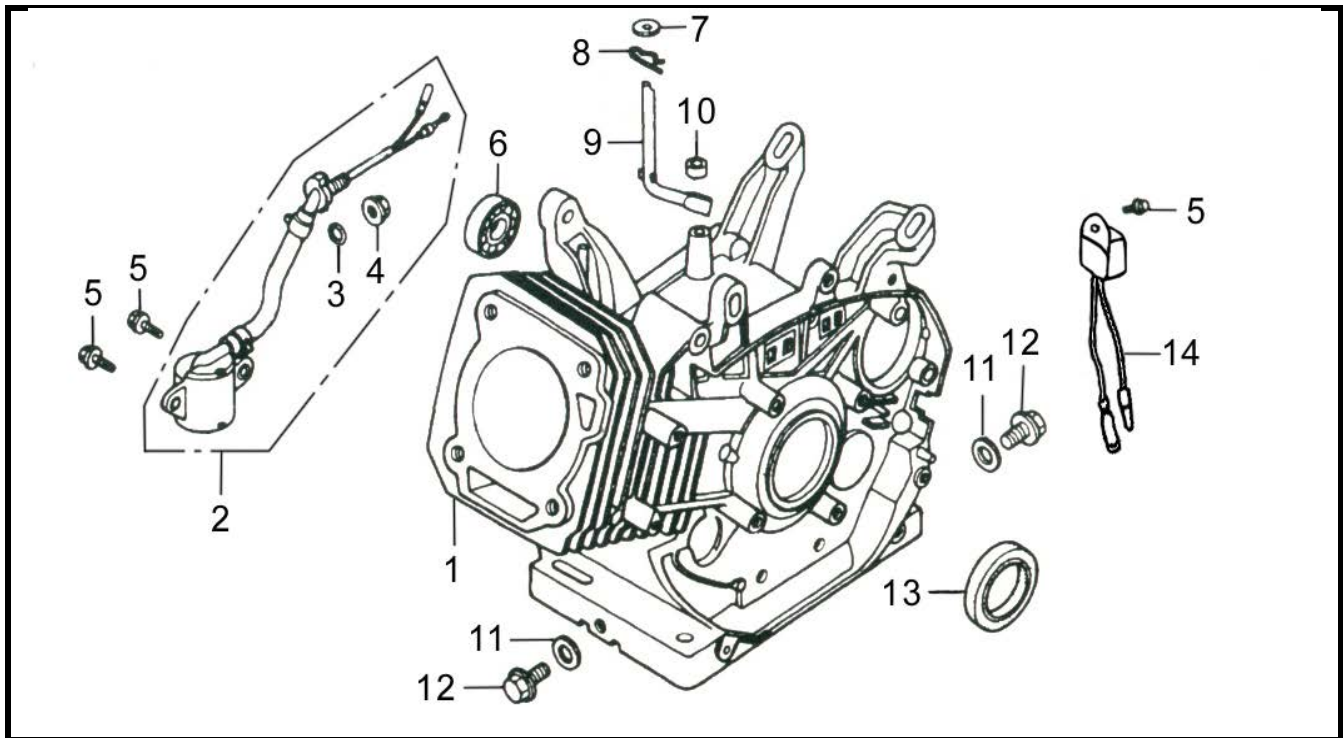
Cylinder head

| No. | Part No. | Description | | | | |
|-----|----------------|-----------------------|-------|--------|-------|--------|
| | | | G270F | G270FD | G390F | G390FD |
| 1 | 120080277-T080 | CYLINDER HEAD COMP | 1 | 1 | - | - |
| | 120080278-T110 | CYLINDER HEAD COMP | - | - | 1 | 1 |
| | 120080338-T190 | CYLINDER HEAD COMP | - | - | - | - |
| 2 | 120420011-T110 | BOLT COMP, HEAD COVER | 1 | 1 | 1 | 1 |
| 3 | 120220009-T110 | COVER COMP. HEAD | 1 | 1 | 1 | 1 |
| 4 | 380840425-T110 | PACKING, HEAD COVER | 1 | 1 | 1 | 1 |
| 5 | 380140337-T110 | BOLT, FLANGE, 10×80 | 4 | 4 | 4 | 4 |
| 6 | 380740460-T080 | TUBE, BREATHER | 1 | 1 | - | - |
| | 380740454-T110 | TUBE, BREATHER | - | - | 1 | 1 |
| 7 | 380180099-T110 | BOLT, STUD, EXHAUST | 2 | 2 | 2 | 2 |
| 8 | 270960025-T040 | SPARK PLUG | 1 | 1 | 1 | 1 |
| 9 | 120150071-T080 | GASKET, CYLINDER | - | - | - | - |
| | 120150072-T090 | GASKET, CYLINDER | 1 | 1 | - | - |
| | 120150073-T100 | GASKET, CYLINDER | - | - | - | - |
| | 120150074-T110 | GASKET, CYLINDER | - | - | 1 | 1 |
| | 120150084-T120 | GASKET, CYLINDER | - | - | - | - |



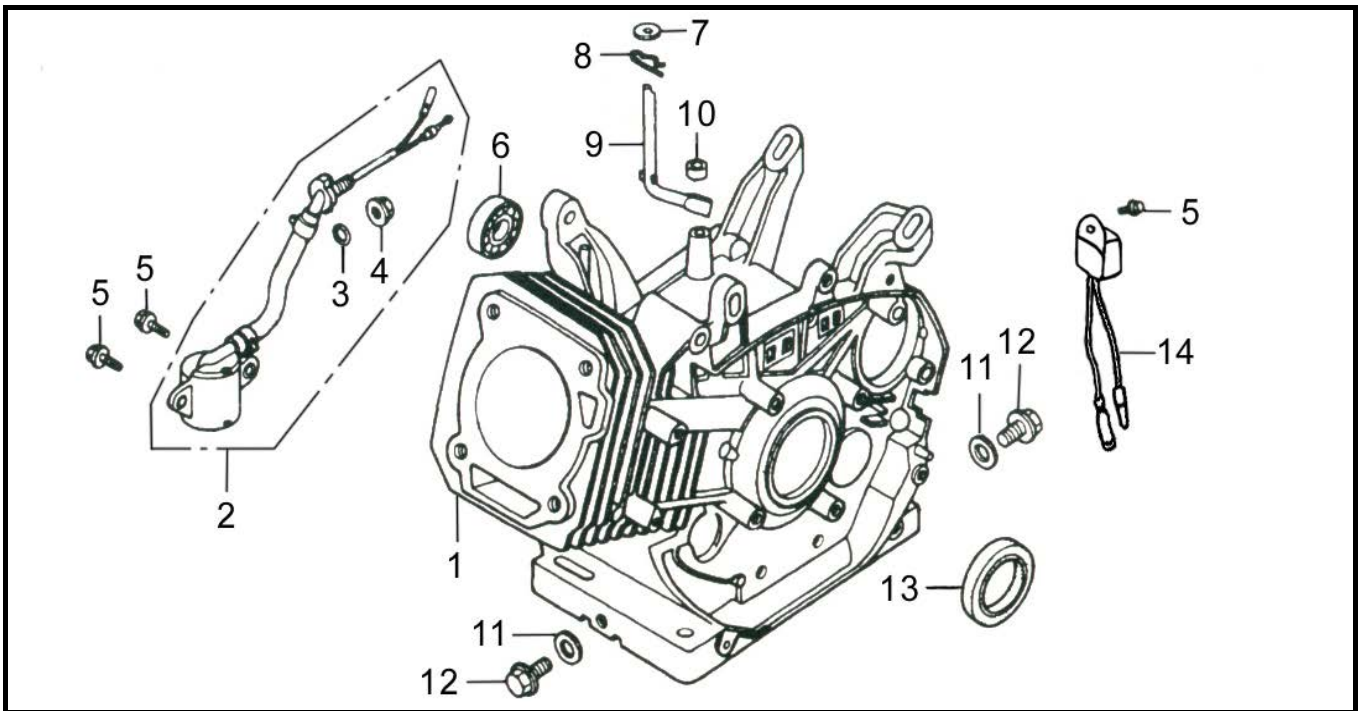
Cylinder head

| No. | Part No. | Description | | | | |
|-----|----------------|---------------------|-------|------------|-------|--------|
| | | | G270F | G270F D | G390F | G390FD |
| 10 | 380600116-T110 | BOLT, STUD, INTAKE | 2 | 2 | 2 | 2 |
| 11 | 380180092-T080 | BOLT, STUD, EXHAUST | 2 | 2 | - | - |
| | 380180091-T110 | BOLT, STUD, EXHAUST | - | - | 2 | 2 |
| 12 | 120440008-T110 | BOLT, HEAD COVER | 1 | 1 | 1 | 1 |
| 13 | 120430003-T110 | WASHER, HEAD COVER | 1 | 1 | 1 | 1 |
| 14 | 380840494-0001 | PACKING, HEAD COVER | 1 | 1 | 1 | 1 |



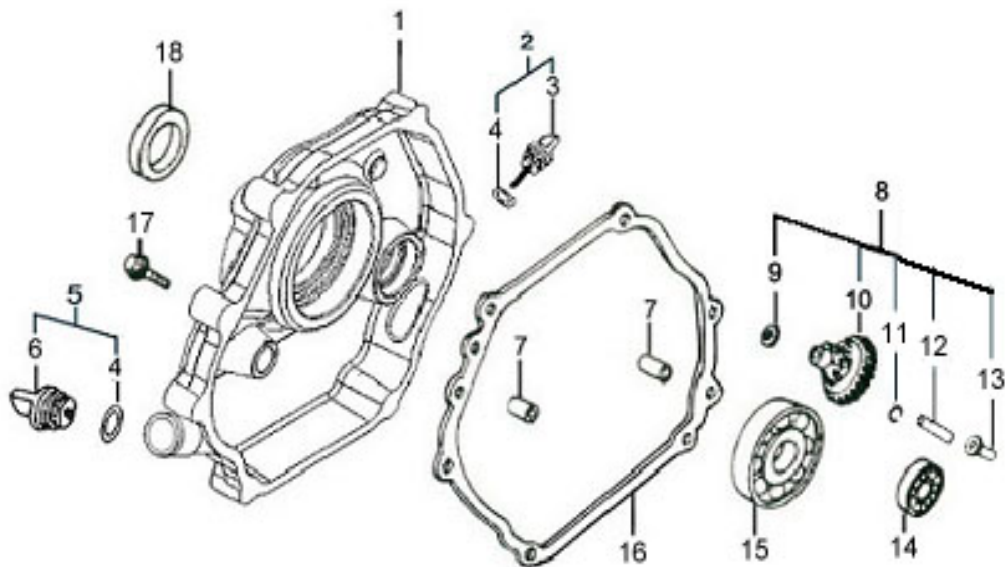
Crankcase

| No. | Part No. | Description | G270F | G270FD | G390F | G390FD |
|-----|----------------|---------------------------|-------|--------|-------|--------|
| | | | | | | |
| 1 | 110810008-T080 | CRANKCASE | - | - | - | - |
| | 110810009-T081 | CRANKCASE | - | - | - | - |
| | 110810010-T090 | CRANKCASE | 1 | - | - | - |
| | 110810011-T091 | CRANKCASE | - | 1 | - | - |
| | 110810012-T100 | CRANKCASE | - | - | - | - |
| | 110810013-T101 | CRANKCASE | - | - | - | - |
| | 110810014-T110 | CRANKCASE | - | - | 1 | - |
| | 110810015-T111 | CRANKCASE | - | - | - | 1 |
| | 110810028-T120 | CRANKCASE | - | - | 1 | - |
| | 110810035-T121 | CRANKCASE | - | - | - | - |
| 2 | 281850152-0001 | SWITCH ASSY., OIL LEVEL | 1 | 1 | 1 | 1 |
| 3 | 380840626-T110 | O-RING | 1 | 1 | 1 | 1 |
| 4 | 380370026-0001 | NUT, FLANGE, 10MM | 1 | 1 | 1 | 1 |
| 5 | 380140001-0006 | BOLT, FLANGE, 6×12 | 3 | 3 | 3 | 3 |
| 6 | 380630099-0001 | BEARING, RADIAL BALL, 620 | - | - | 1 | 1 |
| 7 | 380450522-T110 | WASHER,8*16*1.2 | 1 | 1 | 1 | 1 |



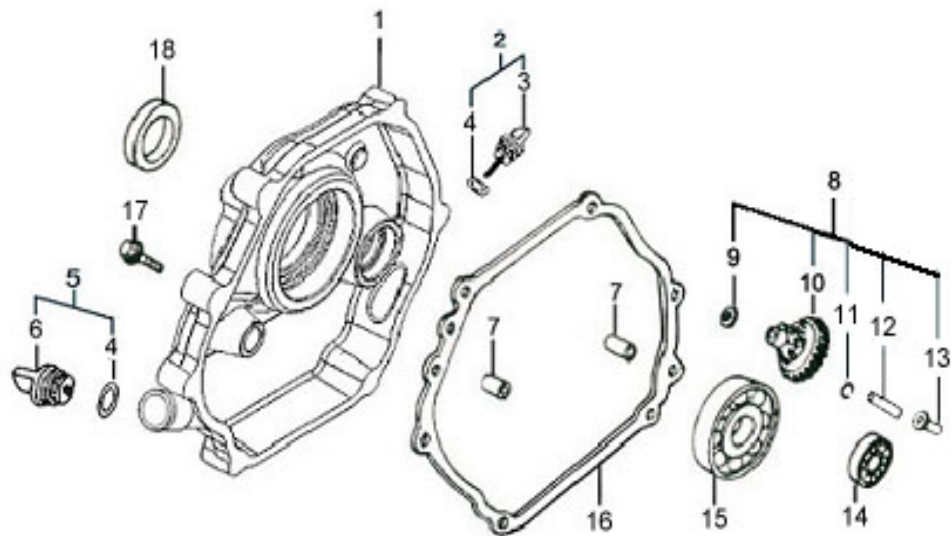
Crankcase

| No. | Part No. | Description | | | | |
|-----|----------------|---|-------|--------|-------|--------|
| | | | G270F | G270FD | G390F | G390FD |
| 8 | 381350004-T040 | PIN, LOCK, 10MM | 1 | 1 | 1 | 1 |
| 9 | 171630002-T080 | SHAFT, GOVERNOR ARM | 1 | 1 | - | - |
| | 171630003-T110 | SHAFT, GOVERNOR ARM | - | - | 1 | 1 |
| 10 | 380650339-T110 | OIL SEAL, $\phi 8 \times \phi 14 \times 5$ | - | - | 1 | 1 |
| 11 | 380450516-T110 | WASHER, DRAIN PLUG, 12 | 2 | 2 | 2 | 2 |
| 12 | 110260024-T110 | BOLT, DRAIN PLUG | 2 | 2 | 2 | 2 |
| 13 | 380650336-T080 | OIL SEAL, $\phi 30 \times \phi 46 \times 8$ | 1 | 1 | 1 | - |
| | 380650350-T110 | OIL SEAL, $\phi 35 \times \phi 52 \times 7$ | - | - | 1 | 1 |
| 14 | 281890001-T040 | ALERT UNIT, OIL | 1 | 1 | 1 | 1 |



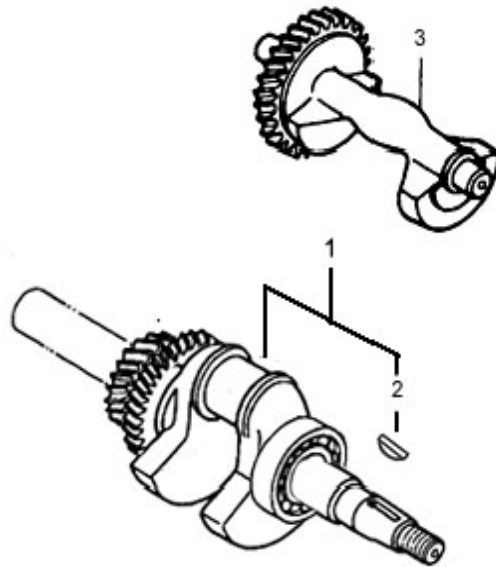
Crankcase cover

| No. | Part No. | Description | | | | |
|-----|----------------|------------------------------|-------|--------|-------|--------|
| | | | G270F | G270FD | G390F | G390FD |
| 1 | 110820004-T080 | CRANKCASE COVER | 1 | 1 | - | - |
| | 110820016-T110 | CRANKCASE COVER | - | - | 1 | 1 |
| 2 | 110690009-T110 | CAP ASSY | 1 | 1 | 1 | 1 |
| 3 | 110700029-T110 | OIL FILLER CAP | 1 | 1 | 1 | 1 |
| 4 | 380840428-T110 | PACKING,OIL FILLER CAP | 2 | 2 | 2 | 2 |
| 5 | 110690022-T110 | OIL STICK ASSY | 1 | 1 | 1 | 1 |
| 6 | 110700046-T110 | OIL STICK | 1 | 1 | 1 | 1 |
| 7 | 380600119-T110 | DOWEL PIN $\phi 8 \times 12$ | 2 | 2 | 2 | 2 |
| 8 | 171750008-T080 | GOVERNOR KIT | 1 | 1 | - | - |
| | 171750004-T110 | GOVERNOR KIT | - | - | 1 | 1 |
| 9 | 380450004-0003 | WASHER 6 | 1 | 1 | 1 | 1 |
| 10 | 171790001-T080 | GOVERNOR ASSY | 1 | 1 | - | - |
| | 171790003-T110 | GOVERNOR ASSY | - | - | 1 | 1 |
| 11 | 171770002-T080 | CLIP GOVERNOR HOLDER | 1 | 1 | - | - |
| | 171770003-T110 | CLIP GOVERNOR HOLDER | - | - | 1 | 1 |
| 12 | 171780002-T080 | SHAFT GOVERNOR | 1 | 1 | - | - |
| | 171780003-T110 | SHAFT GOVERNOR | - | - | 1 | 1 |
| 13 | 171760002-T080 | SLIDER,GOVERNOR | 1 | 1 | - | - |



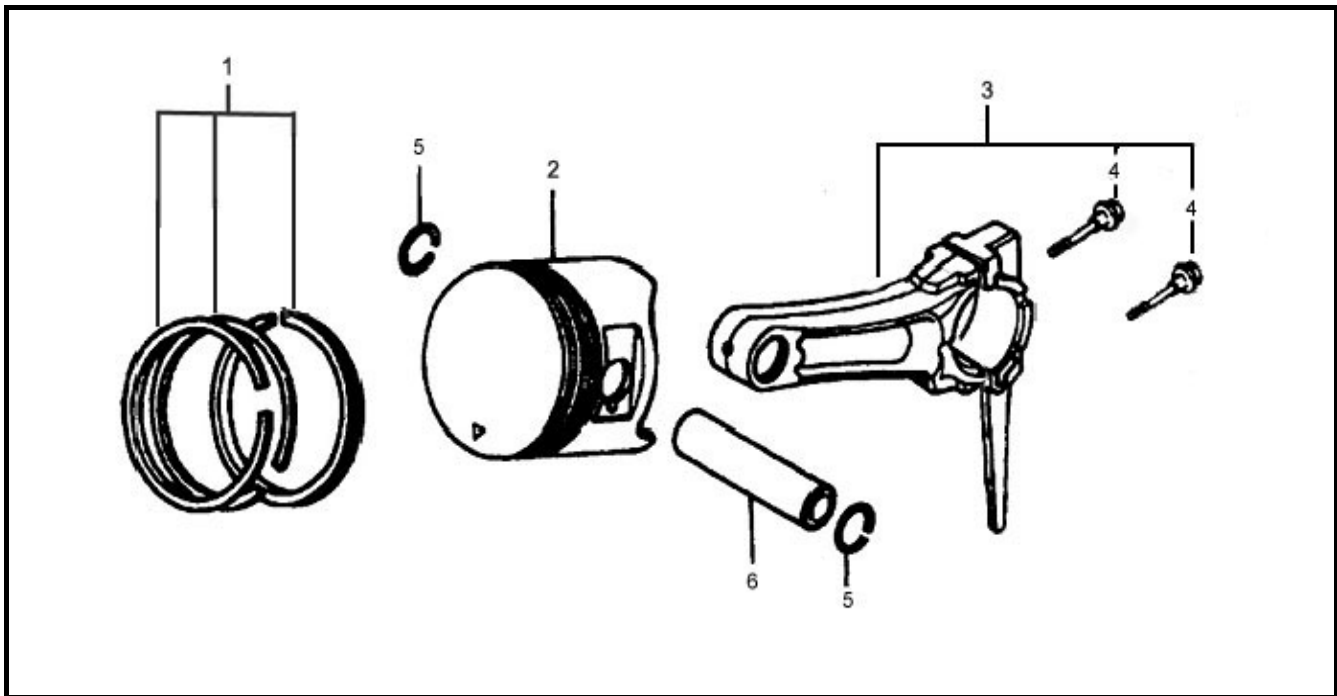
Crankcase cover

| No. | Part No. | Description | | | | |
|-----|----------------|--|-------|--------|-------|--------|
| | | | G270F | G270FD | G390F | G390FD |
| | 171760002-T080 | SLIDER,GOVERNOR | - | - | 1 | 1 |
| 14 | 380630099-0001 | BALL BEARING 6202 | - | - | 1 | 1 |
| 15 | 380630140-0002 | BALL BEARING 6202 | 1 | 1 | - | - |
| | 380630141-0002 | BALL BEARING 6202 | - | - | 1 | 1 |
| 16 | 110830002-T080 | GASKET,CRANKCASE COVER | 1 | 1 | - | - |
| | 110830006-T110 | GASKET,CRANKCASE COVER | - | - | 1 | 1 |
| 17 | 380140051-0005 | BOLT,FLANGE 8X35 | 7 | 7 | - | - |
| | 380140005-0006 | BOLT,FLANGE 8X40 | - | - | 7 | 7 |
| 18 | 380650336-T080 | OIL SEAL $\phi 30 \times \phi 46 \times 8$ | 1 | 1 | - | - |
| | 380650337-T110 | OIL SEAL $\phi 35 \times \phi 52 \times 7$ | - | - | 1 | 1 |



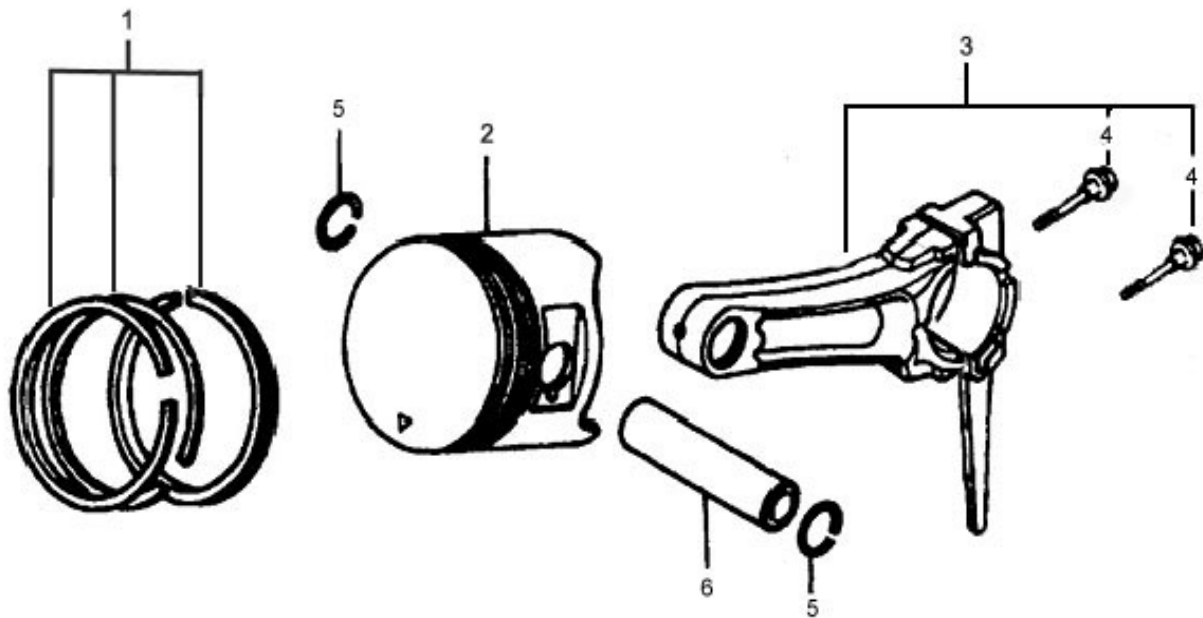
Crankshaft

| No. | Part No. | Description | | | | |
|-----|----------------|----------------------|-------|--------|-------|--------|
| | | | G270F | G270FD | G390F | G390FD |
| 1 | 130290058-T080 | CRANKSHAFT ASSY | 1 | 1 | - | - |
| | 130290067-T110 | CRANKSHAFT ASSY | - | - | 1 | 1 |
| | 130290112-T120 | CRANKSHAFT ASSY | - | - | - | - |
| 2 | 380620050-0001 | KEY,SPECIAL WOODRUFF | 1 | 1 | 1 | 1 |
| 3 | 130450008-T110 | WEIGHT,BALANCER | - | - | 1 | 1 |



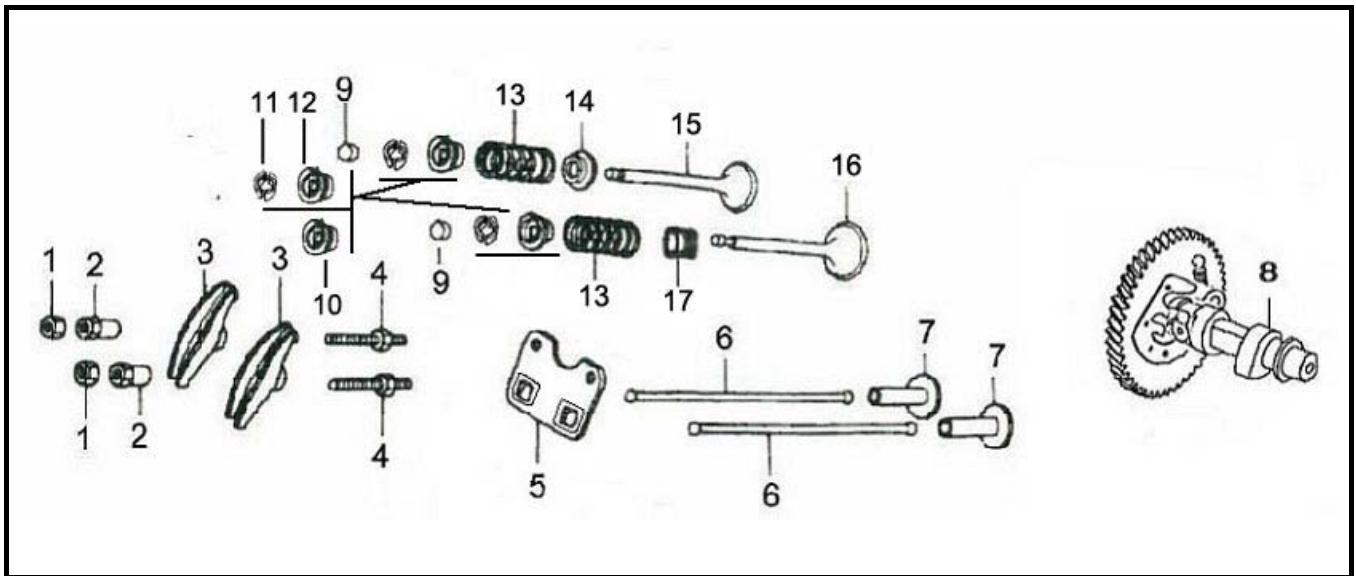
Piston/connecting rod

| No. | Part No. | Description | | | | |
|-----|----------------|---------------------|-------|--------|-------|--------|
| | | | G270F | G270FD | G390F | G390FD |
| 1 | 130070080-T080 | RING SET,PISTON | - | - | - | - |
| | 130070081-T090 | RING SET,PISTON | 1 | 1 | - | - |
| | 130070082-T100 | RING SET,PISTON | - | - | - | - |
| | 130070083-T110 | RING SET,PISTON | - | - | 1 | 1 |
| | 130070089-T120 | RING SET,PISTON | - | - | - | - |
| 2 | 130030082-T080 | PISTON | - | - | - | - |
| | 130030084-T090 | PISTON | 1 | 1 | - | - |
| | 130030085-T100 | PISTON | - | - | - | - |
| | 130030087-T110 | PISTON | - | - | 1 | 1 |
| | 130030103-T120 | PISTON | - | - | - | - |
| 3 | 130150040-T080 | CONNECTING ROD ASSY | 1 | 1 | - | - |
| | 130150043-T110 | CONNECTING ROD ASSY | - | - | 1 | 1 |
| | 130150049-T120 | CONNECTING ROD ASSY | - | - | - | - |
| 4 | 130180002-T110 | BOLT,CONNECTING ROD | 2 | 2 | 2 | 2 |
| 5 | 380560056-T040 | CLIP,PISTON PIN | 2 | 2 | - | - |



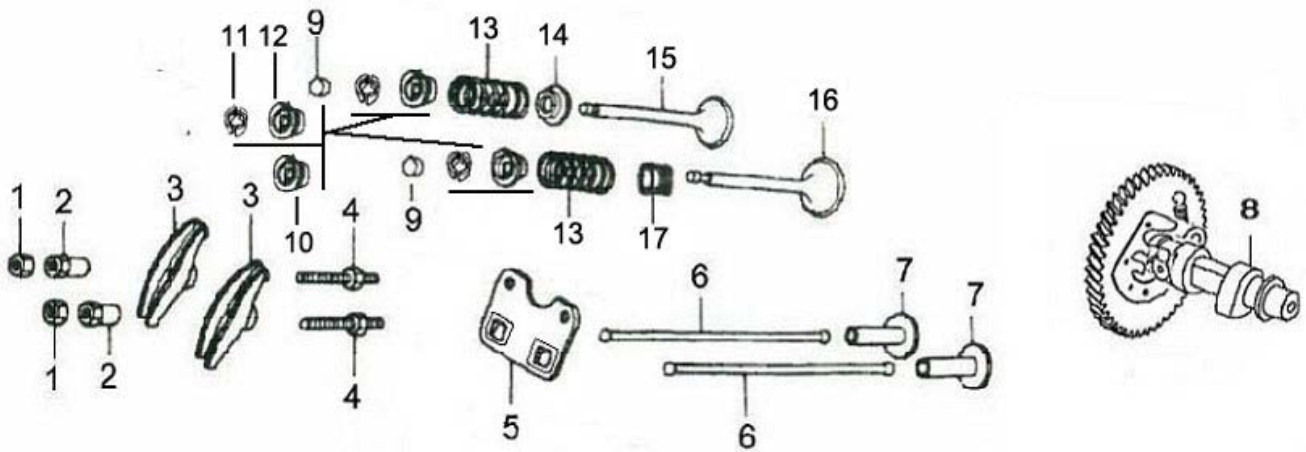
Piston/connecting rod

| No. | Part No. | Description | | | | |
|-----|----------------|-----------------|-------|--------|-------|--------|
| | | | G270F | G270FD | G390F | G390FD |
| | 380560057-T110 | CLIP,PISTON PIN | - | - | 2 | 2 |
| 6 | 130060032-T080 | PIN,PISTON | 1 | 1 | - | - |
| | 130060033-T100 | PIN,PISTON | - | - | - | - |
| | 130060034-T110 | PIN,PISTON | - | - | 1 | 1 |



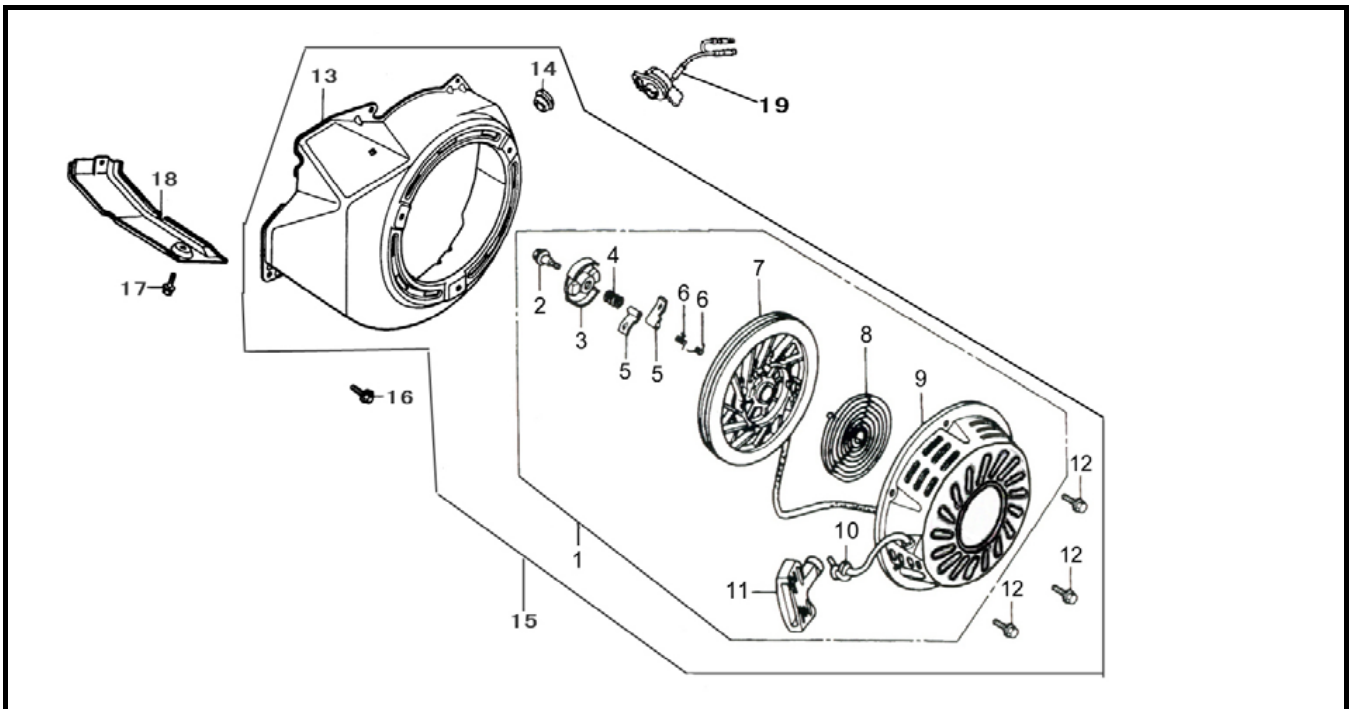
Camshaft

| No. | Part No. | Description | | | | |
|-----|----------------|------------------------|-------|--------|-------|--------|
| | | | G270F | G270FD | G390F | G390FD |
| 1 | 140470003-T110 | NUT,PIVOT ADJUSTING | 2 | 2 | 2 | 2 |
| 2 | 140490014-T110 | PIVOT ROCKER ARM | 2 | 2 | 2 | 2 |
| 3 | 140460024-T110 | ROCKER ARM | 2 | 2 | 2 | 2 |
| 4 | 140480016-T110 | BOLT POVIT | 2 | 2 | 2 | 2 |
| 5 | 140710002-T110 | PLATE , PUSH ROD GUIDE | 1 | 1 | 1 | 1 |
| 6 | 140670005-T080 | PUSH ROD | 2 | 2 | - | - |
| | 140670006-T110 | PUSH ROD | - | - | 2 | 2 |
| 7 | 140690004-T110 | LIFTER , VALVE | 2 | 2 | 2 | 2 |
| 8 | 140020039-T080 | CAMSHAFT ASSY | 1 | 1 | - | - |
| | 140020041-T100 | CAMSHAFT ASSY | - | - | - | - |
| | 140020045-T110 | CAMSHAFT ASSY | - | - | 1 | 1 |
| | 140020056-T120 | CAMSHAFT ASSY | - | - | - | - |
| 9 | 140320002-T110 | ROTATOR,VALVE | 1 | 1 | 1 | 1 |
| 10 | 140380018-T110 | RETAINER,VALVE SPRING | 2 | 2 | 2 | 2 |
| 11 | 140390016-T120 | LOCKER,VALVE | - | - | - | - |



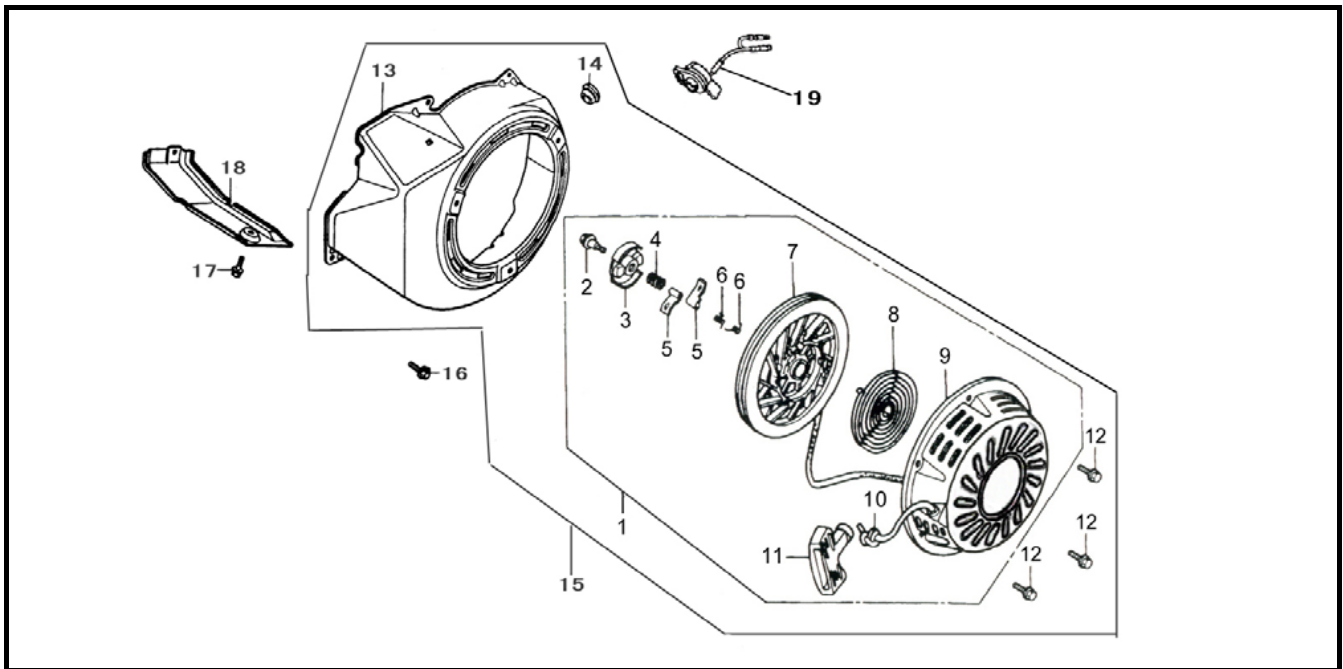
Camshaft

| No. | Part No. | Description | | | | |
|-----|----------------|------------------------|-------|--------|-------|--------|
| | | | G270F | G270FD | G390F | G390FD |
| 12 | 140380021-T11D | RETAINER, VALVE SPRING | - | - | - | - |
| 13 | 140340023-T110 | SPRING, VALVE | 1 | 1 | 1 | 1 |
| | 140340025-T11D | SPRING, VALVE | - | - | - | - |
| 14 | 140360010-T110 | SEAT, VALVE SPRING | 1 | 1 | 1 | 1 |
| 15 | 140310036-T080 | VALVE, EX. | 1 | 1 | - | - |
| | 140310037-T110 | VALVE, EX. | - | - | 1 | 1 |
| | 140310043-T120 | VALVE, EX. | - | - | - | - |
| 16 | 140300036-T080 | VALVE, IN | 1 | 1 | - | - |
| | 140300038-T110 | VALVE, IN | - | - | 1 | 1 |
| | 140300043-T120 | VALVE, IN | - | - | - | - |
| 17 | 140400012-T110 | SEAL, VALVE STEM | 1 | 1 | 1 | 1 |



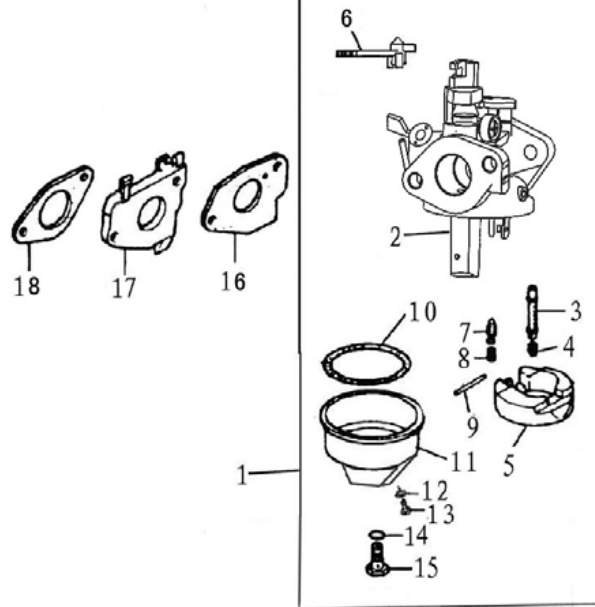
Starter

| No. | Part No. | Description | | | | |
|-----|----------------|-----------------------|-------|--------|-------|--------|
| | | | G270F | G270FD | G390F | G390FD |
| 1 | 193500013-T080 | STARTER ASSY. | 1 | 1 | - | - |
| | 193500017-T110 | STARTER ASSY. | - | - | 1 | 1 |
| 2 | 380020068-T110 | SCREW,SETTING | 1 | 1 | 1 | 1 |
| 3 | 193550004-T080 | GUIDE,RATCHET | 1 | 1 | - | - |
| | 193550005-T110 | GUIDE,RATCHET | - | - | 1 | 1 |
| 4 | 381150412-T080 | SPRING,FRICITION | 1 | 1 | 1 | 1 |
| 5 | 193540004-T110 | RATCHET , STARTER | 2 | 2 | 2 | 2 |
| 6 | 381160113-T110 | SPRING , RETURN | 2 | 2 | 2 | 2 |
| 7 | 193520004-T080 | REEL , RECOIL STARTER | 1 | 1 | - | - |
| | 193520005-T110 | REEL , RECOIL STARTER | - | - | 1 | 1 |
| 8 | 193340019-T110 | SPRING,RECOIL STARTER | 1 | 1 | 1 | 1 |
| 9 | 193640004-T080 | COVER COMP ., FAN | 1 | 1 | - | - |
| | 193640007-T110 | COVER COMP ., FAN | - | - | 1 | 1 |
| 10 | 193530005-T110 | ROPE | 1 | 1 | 1 | 1 |
| 11 | 193560003-T040 | KNOB , RECOIL STARTER | 1 | 1 | 1 | 1 |
| 12 | 380140011-0004 | BOLT,M6x10 | 3 | 3 | 3 | 3 |



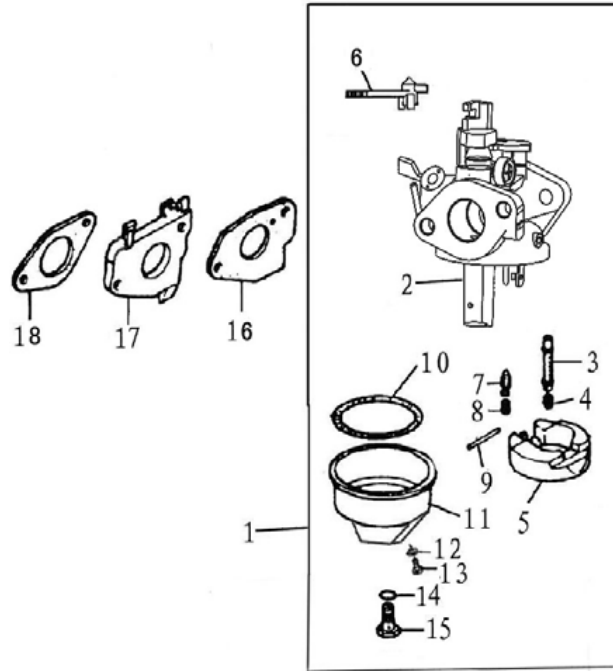
Starter

| No. | Part No. | Description | | | | |
|-----|----------------|---------------------------|-------|--------|-------|--------|
| | | | G270F | G270FD | G390F | G390FD |
| 13 | 160210008-T080 | COVER COMP ., FAN | 1 | 1 | - | - |
| | 160210011-T110 | COVER COMP ., FAN | - | - | 1 | 1 |
| 14 | 381000094-T040 | RUBBER PLUG | 1 | 1 | 1 | 1 |
| 15 | 193490028-T080 | RECOIL STARTER COMP. | 1 | 1 | - | - |
| | 193490038-T110 | RECOIL STARTER COMP. | - | - | 1 | 1 |
| 16 | 380140002-0006 | BOLT,FLANGE,M6x12 | 5 | 5 | 5 | 5 |
| 17 | 380140002-0006 | BOLT,FLANGE,M6x12 | 1 | 1 | 1 | 1 |
| 18 | 160190005-T080 | SHROUD | 1 | 1 | - | - |
| | 160190006-T110 | SHROUD | - | - | 1 | 1 |
| 19 | 271660028-T040 | SWITCH ASSY., ENGINE STOP | 1 | 1 | 1 | 1 |



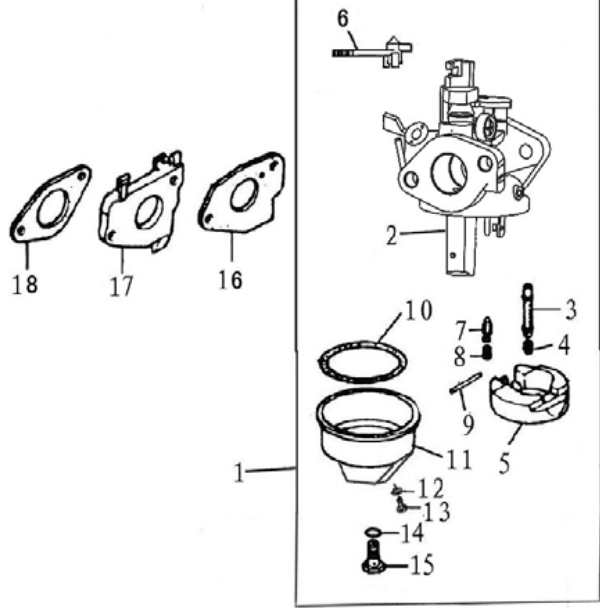
Carburetor

| No. | Part No. | Description | | | | |
|-----|----------------|---------------------|-------|--------|-------|--------|
| | | | G270F | G270FD | G390F | G390FD |
| 1 | 170020407-T080 | CARBURETOR | - | - | - | - |
| | 170020408-T090 | CARBURETOR | 1 | 1 | - | - |
| | 170020409-T100 | CARBURETOR | - | - | - | - |
| | 170020410-T110 | CARBURETOR | - | - | 1 | 1 |
| | 170020446-T120 | CARBURETOR | - | - | - | - |
| 2 | 170160030-T080 | NOUMENON,CARBURETOR | 1 | 1 | - | - |
| | 170160031-T110 | NOUMENON,CARBURETOR | - | - | - | - |
| | 170160031-T110 | NOUMENON,CARBURETOR | - | - | 1 | 1 |
| | 170160044-T120 | NOUMENON,CARBURETOR | - | - | - | - |
| 3 | 170200023-T080 | NOZZLE , MAIN | - | - | - | - |
| | 170200023-T090 | NOZZLE , MAIN | 1 | 1 | - | - |
| | 170200041-T100 | NOZZLE , MAIN | - | - | - | - |
| | 170200024-T110 | NOZZLE , MAIN | - | - | 1 | 1 |
| | 170030105-T120 | NOZZLE , MAIN | - | - | - | - |



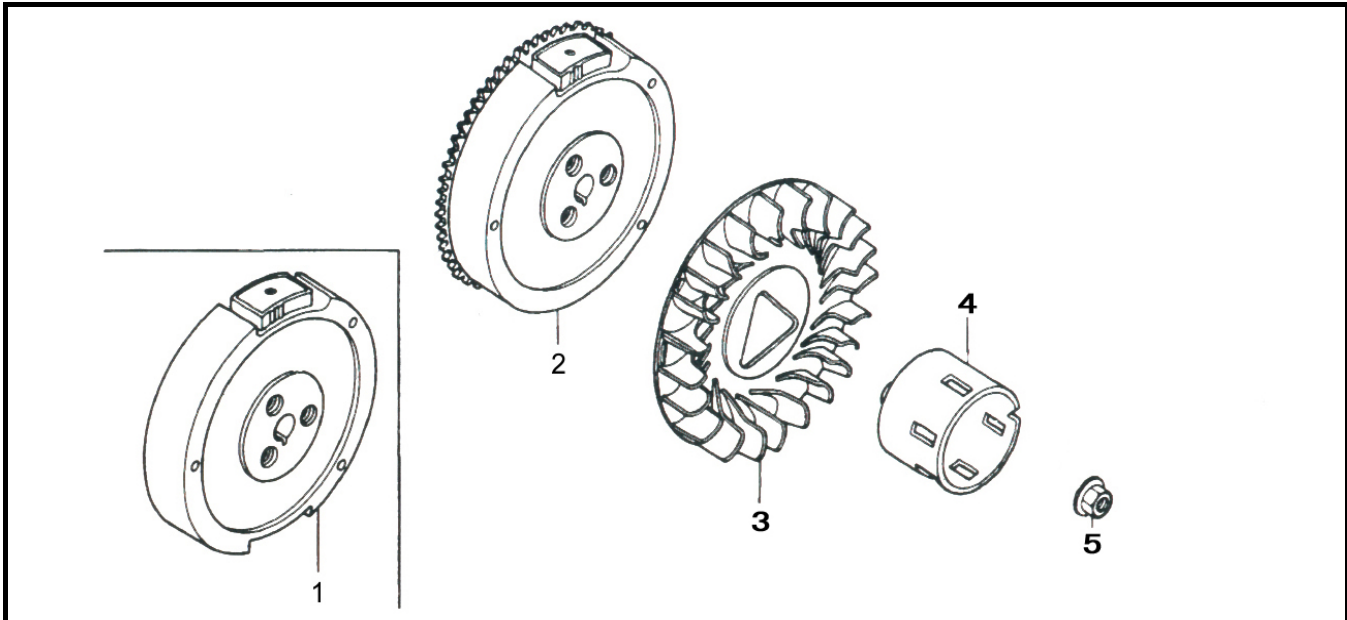
Carburetor

| No. | Part No. | Description | | | | |
|-----|----------------|---------------------|-------|--------|-------|--------|
| | | | G270F | G270FD | G390F | G390FD |
| 4 | 170030060-T080 | JET , MAIN | - | - | - | - |
| | 170030075-T090 | JET , MAIN | 1 | 1 | - | - |
| | 170030104-T100 | JET , MAIN | - | - | - | - |
| | 170030061-T110 | JET , MAIN | - | - | 1 | 1 |
| | 170030105-T120 | JET , MAIN | - | - | - | - |
| 5 | 170280020-T110 | FLOAT | 1 | 1 | 1 | 1 |
| 6 | 170060027-T040 | LEVER COMP.,CHOKE | 1 | 1 | 1 | 1 |
| 7 | 170180025-T110 | VALVE , FLOAT | 1 | 1 | 1 | 1 |
| 8 | 381150334-T110 | SPRING , VALVE SET | 1 | 1 | 1 | 1 |
| 9 | 170290016-T110 | PIN , FLOAT | 1 | 1 | 1 | 1 |
| 10 | 380840456-T110 | GASKET , OIL CUP | 1 | 1 | 1 | 1 |
| 11 | 170250022-T110 | OIL CUP | 1 | 1 | 1 | 1 |
| 12 | 380450577-T040 | GASKET , DRAIN BOLT | 1 | 1 | 1 | 1 |
| 13 | 110260025-0001 | BOLT ,DRAIN | 1 | 1 | 1 | 1 |
| 14 | 380450539-T040 | GASKET , OIL CUP | 1 | 1 | 1 | 1 |



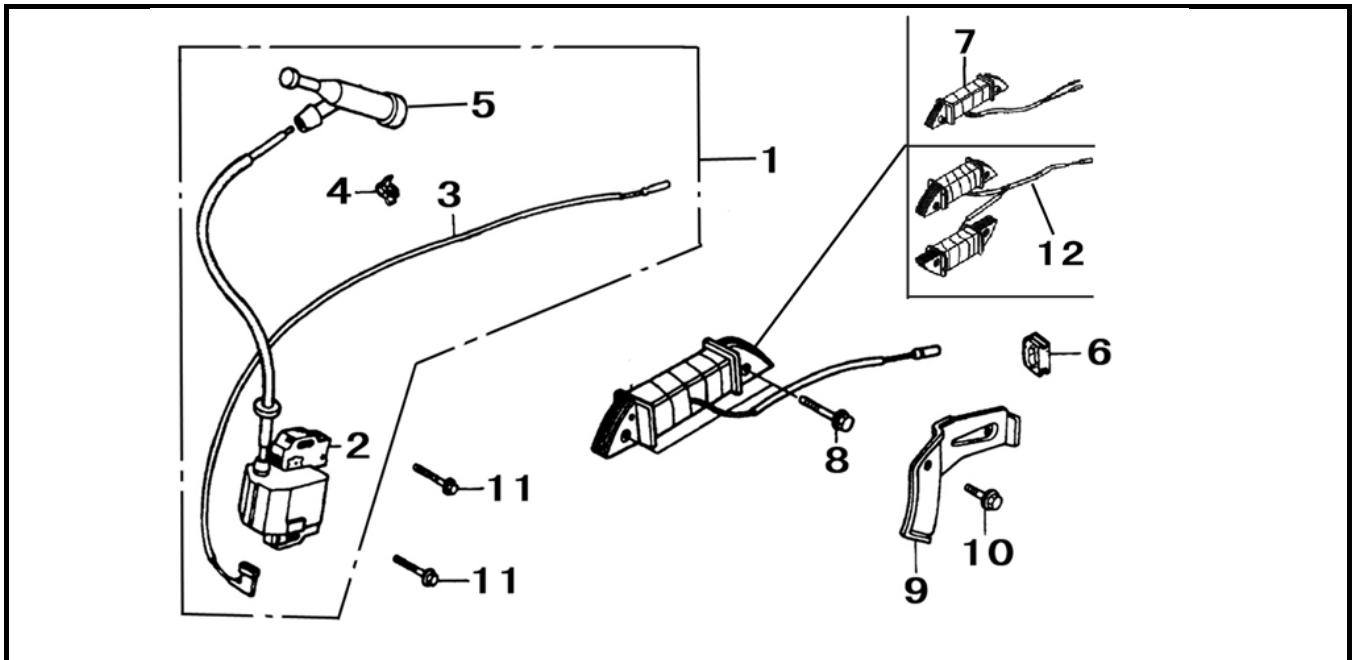
Carburetor

| No. | Part No. | Description | | | | |
|-----|----------------|----------------------|-------|--------|-------|--------|
| | | | G270F | G270FD | G390F | G390FD |
| 15 | 380140353-T040 | BOLT , OIL CUP | 1 | 1 | 1 | 1 |
| 16 | 170430043-T080 | PACKING,CARBURETOR | 1 | 1 | - | - |
| | 170430044-T100 | PACKING,CARBURETOR | - | - | - | - |
| | 170430045-T110 | PACKING,CARBURETOR | - | - | 1 | 1 |
| 17 | 170440039-T080 | INSULATOR,CARBURETOR | 1 | 1 | - | - |
| | 170440040-T100 | INSULATOR,CARBURETOR | - | - | - | - |
| | 170440041-T110 | INSULATOR,CARBURETOR | - | - | 1 | 1 |
| 18 | 170430055-T080 | PACKING,INSULATOR | 1 | 1 | - | - |
| | 170430058-T110 | PACKING,INSULATOR | - | - | 1 | 1 |



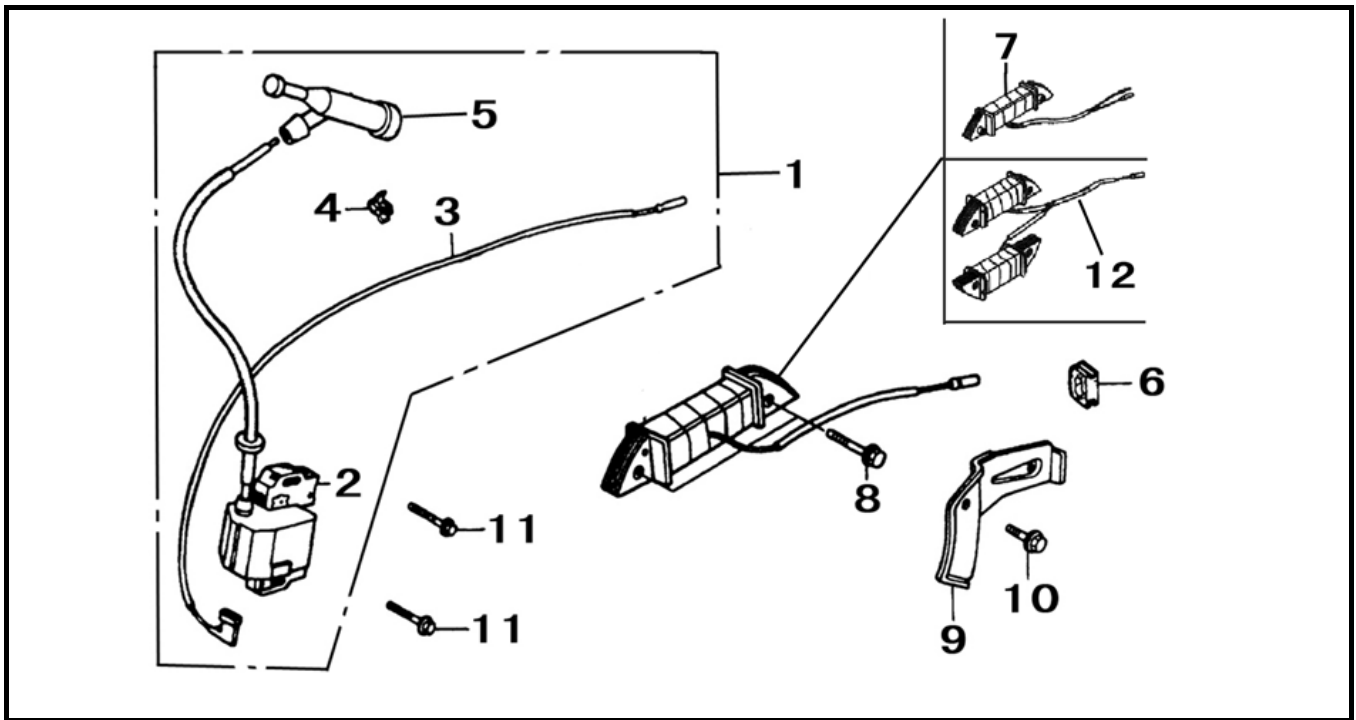
Flywheel

| No. | Part No. | Description | | | | |
|-----|----------------|---------------------------|-------|--------|-------|--------|
| | | | G270F | G270FD | G390F | G390FD |
| 1 | 270020083-T080 | FLYWHEEL COMP | 1 | - | - | - |
| | 270020084-T110 | FLYWHEEL COMP | - | - | 1 | - |
| 2 | 270020080-T081 | FLYWHEEL COMP.(SEAL-LAMP) | - | 1 | - | - |
| | 270020073-T111 | FLYWHEEL COMP.(SEAL-LAMP) | - | - | - | 1 |
| 3 | 160180008-T080 | FAN COOLING | 1 | 1 | - | - |
| | 160180009-T110 | FAN COOLING | - | - | 1 | 1 |
| 4 | 193590004-T080 | PULLEY,STARTER | 1 | 1 | - | - |
| | 193590007-T110 | PULLEY,STARTER | - | - | 1 | 1 |
| 5 | 380370050-T110 | NUT SPECIAL,16MM | 1 | 1 | 1 | 1 |



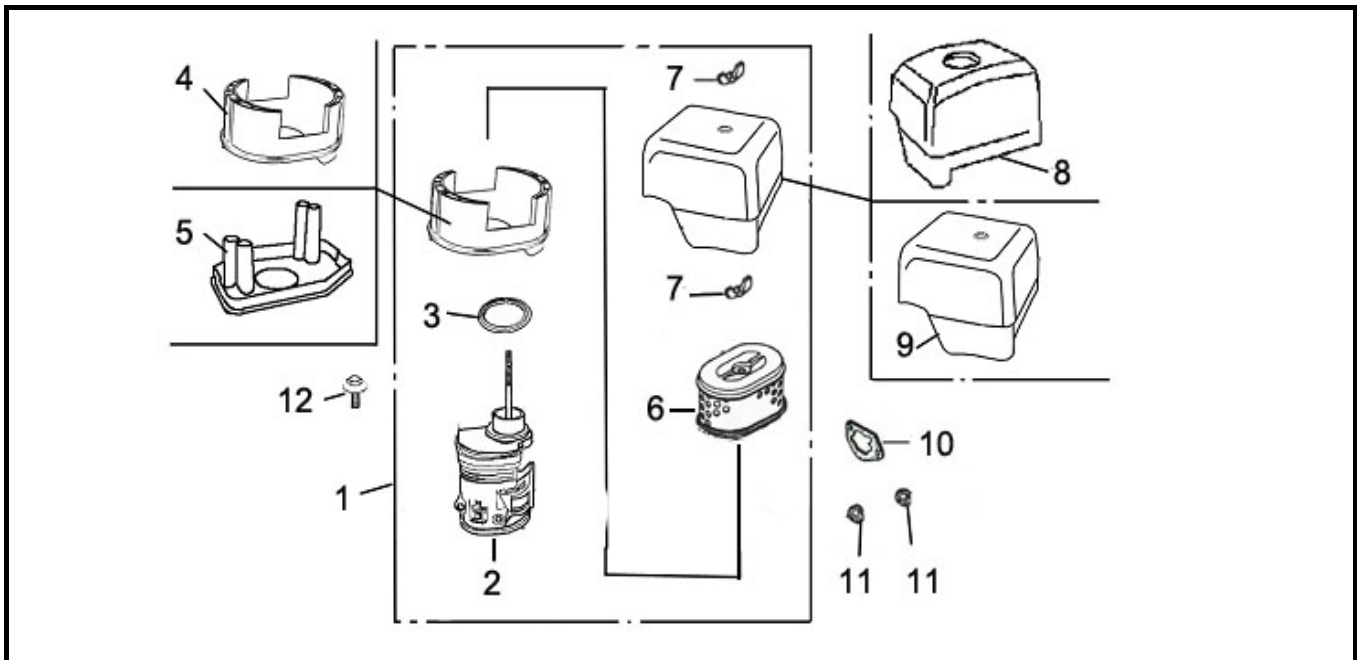
Ignition Comp

| No. | Part No. | Description | | | | |
|-----|----------------|----------------------------|-------|--------|-------|--------|
| | | | G270F | G270FD | G390F | G390FD |
| 1 | 270920158-T080 | COIL ASSY . , IGNITION | 1 | 1 | - | - |
| | 270920170-T110 | COIL ASSY . , IGNITION | - | - | 1 | 1 |
| 2 | 270930030-T080 | COIL , IGNITION | 1 | 1 | - | - |
| | 270930031-T110 | COIL , IGNITION | - | - | 1 | 1 |
| 3 | 271670004-T110 | CORD , STOP SWITCH | 1 | 1 | 1 | 1 |
| 4 | 380930024-T110 | HOLDER,STOP SWITCH | 1 | 1 | 1 | 1 |
| 5 | 270950040-T040 | CAP ASSY.,NOISE SUPPRESSOR | 1 | 1 | 1 | 1 |
| 6 | 380930023-T110 | GROMMET,CORD | 1 | 1 | 1 | 1 |
| 7 | 270190001-T111 | COIL ASSY.,CHARGE | - | 1 | - | 1 |
| 8 | 380140024-0006 | BOLT,FLANGE,M6X28 | - | 2 | - | 2 |
| 9 | 270280007-T081 | CLAMPER,CORD | - | 1 | - | - |
| | 270280008-T111 | CLAMPER,CORD | - | - | - | 1 |
| 10 | 380140001-0006 | BOLT,FLANGE,M6X12 | - | 1 | - | 1 |
| 11 | 380140102-0004 | BOLT,FLANGE,M6X25 | 2 | 2 | 2 | 2 |



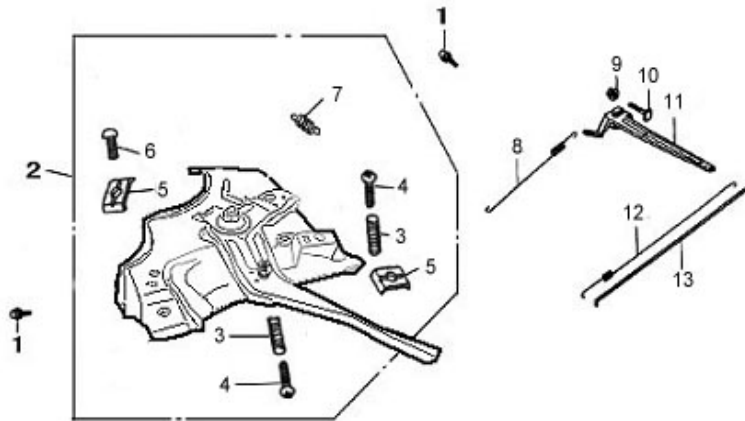
Ignition Comp

| No. | Part No. | Description | | | | |
|-----|----------------|-------------------|-------|--------|-------|--------|
| | | | G270F | G270FD | G390F | G390FD |
| 12 | 270190003-T111 | COIL ASSY.,CHARGE | - | 1 | - | 1 |



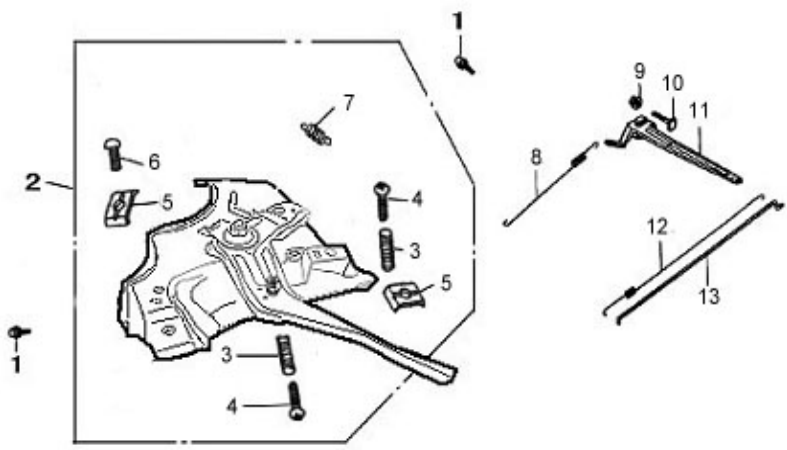
Air cleaner

| No. | Part No. | Description | | | | |
|-----|----------------|-----------------------------|-------|--------|-------|--------|
| | | | G270F | G270FD | G390F | G390FD |
| 1 | 180020314-T086 | AIR CLEANER ASSY | 1 | 1 | - | - |
| | 180020315-T114 | AIR CLEANER ASSY | - | - | 1 | 1 |
| 2 | 180280002-T080 | ELBOW COMP., AIR CLEANER | 1 | 1 | - | - |
| | 180280003-T110 | ELBOW COMP., AIR CLEANER | - | - | 1 | 1 |
| 3 | 380840432-T080 | PACKING , ELBOW | 1 | 1 | - | - |
| | 380840433-T110 | PACKING , ELBOW | - | - | 1 | 1 |
| 4 | 180330019-T080 | NOSE , SILENCER | 1 | 1 | - | - |
| 5 | 180330020-T110 | NOSE , SILENCER | - | - | 1 | 1 |
| 6 | 180130122-T080 | ELEMENT ASSY. , AIR CLEANER | 1 | 1 | - | - |
| | 180130112-T110 | ELEMENT ASSY. , AIR CLEANER | - | - | 1 | 1 |
| 7 | 380440002-0001 | NUT ,BUTTERFLY,M6 | 2 | 2 | 2 | 2 |
| 8 | 180070089-T086 | COVER , AIR CLEANER | 1 | 1 | - | - |
| 9 | 180070091-T114 | COVER , AIR CLEANER | - | - | 1 | 1 |
| 10 | 170430066-T110 | PACKING., AIR CLEANER | 1 | 1 | 1 | 1 |
| 11 | 380370048-0001 | NUT ,FLANGE, M6 | 2 | 2 | 2 | 2 |



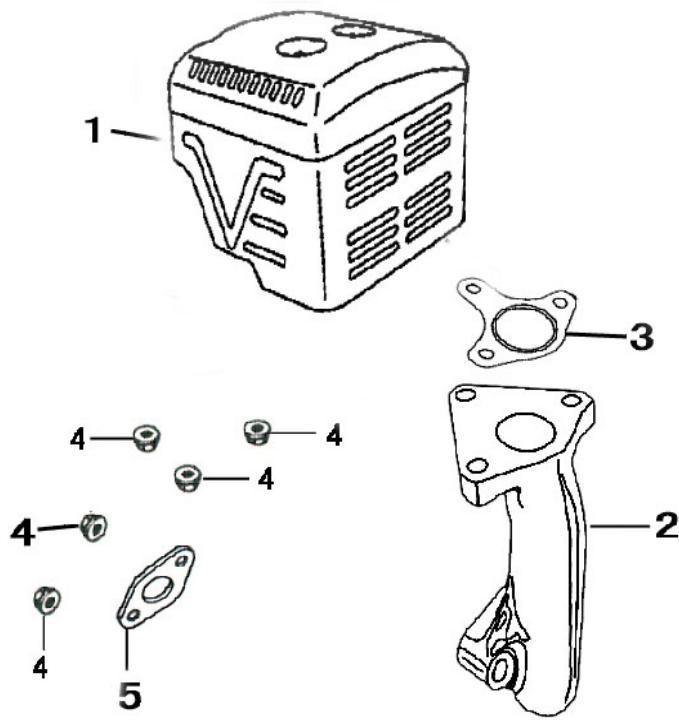
Control

| No. | Part No. | Description | | | | |
|-----|----------------|--------------------------|-------|--------|-------|--------|
| | | | G270F | G270FD | G390F | G390FD |
| 1 | 380140001-0006 | BOLT, FLANGE,M6X12 | 2 | 2 | 2 | 2 |
| 2 | 171680007-T080 | CONTROL ASSY. | 1 | 1 | - | - |
| | 171680008-T110 | CONTROL ASSY. | - | - | 1 | 1 |
| 3 | 171660002-T100 | SPRING,CONTROL ADJUSTING | 2 | 2 | 2 | 2 |
| 4 | 380200017-0005 | SCREW , M5×35 | 2 | 2 | 2 | 2 |
| 5 | 171710004-T040 | BACK PLATE , DRAGLINE | 2 | 2 | 2 | 2 |
| 6 | 380200010-0005 | SCREW , M5×25 | 1 | 1 | 1 | 1 |
| 7 | 171700001-T040 | SPRING, RETURE | 1 | 1 | 1 | 1 |
| 8 | 171600006-T080 | SPRING , CABLE RETURN | 1 | 1 | - | - |
| | 171600001-T110 | SPRING , CABLE RETURN | - | - | 1 | 1 |
| 9 | 380370048-0001 | NUT, FLANGE M6 | 1 | 1 | 1 | 1 |
| 10 | 380250002-T040 | BOLT, QUADRATE HEAD | 1 | 1 | 1 | 1 |



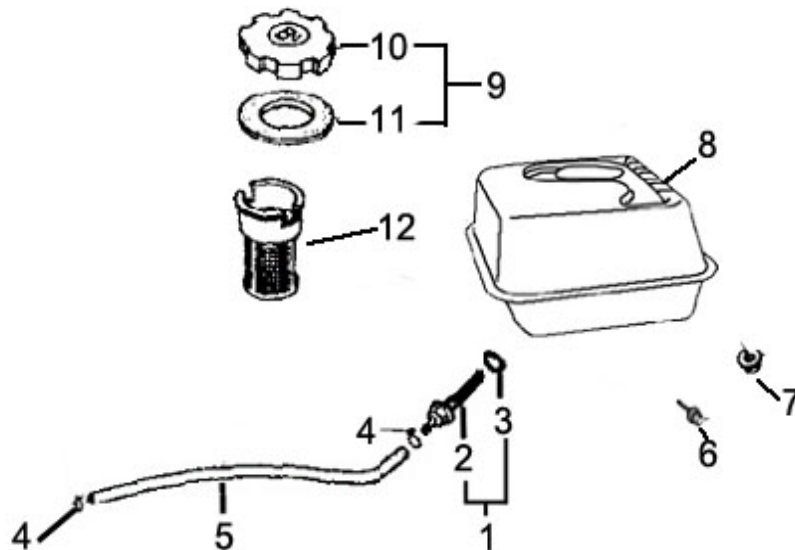
Control

| No. | Part No. | Description | | | | |
|-----|----------------|-------------------------|-------|--------|-------|--------|
| | | | G270F | G270FD | G390F | G390FD |
| 11 | 171620002-T080 | ARM, GOVERNOR | 1 | 1 | - | - |
| | 171620003-T080 | ARM, GOVERNOR | - | - | 1 | 1 |
| 12 | 171610001-T110 | SPRING, THROTTLE RETURN | 1 | 1 | 1 | 1 |
| 13 | 171590003-T080 | ROD, GOVERNOR | 1 | 1 | - | - |
| | 171590005-T110 | ROD, GOVERNOR | - | - | 1 | 1 |



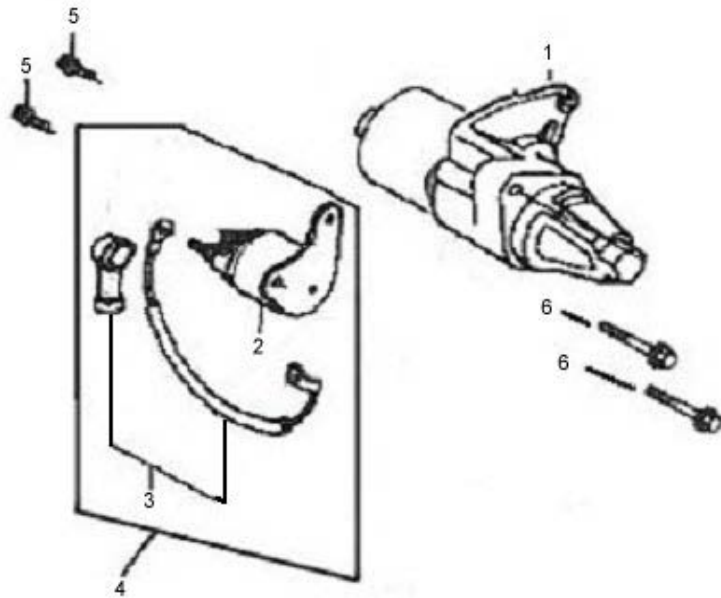
Muffler

| No. | Part No. | Description | | | | |
|-----|----------------|------------------|-------|------------|-------|------------|
| | | | G270F | G270F D | G390F | G390F D |
| 1 | 180570769-T086 | MUFFLER ASSY. | 1 | 1 | - | - |
| | 180570770-T114 | MUFFLER ASSY. | - | - | 1 | 1 |
| 2 | 180590092-T080 | PIPE COMP.,EX | 1 | 1 | 1 | 1 |
| 3 | 180660028-T110 | GASKET,EX.PIPE | 1 | 1 | 1 | 1 |
| 4 | 380340005-0005 | NUT , HEX ., M8 | 5 | 5 | 5 | 5 |
| 5 | 180650064-T110 | GASKET , MUFFLER | 1 | 1 | 1 | 1 |



Fuel tank

| No. | Part No. | Description | | | | |
|-----|----------------|---------------------------|-------|--------|-------|--------|
| | | | G270F | G270FD | G390F | G390FD |
| 1 | 170660077-T040 | JOINT COMP, FUEL TANK | 1 | 1 | 1 | 1 |
| 2 | 170670011-T040 | JOINT , FUEL TANK | 1 | 1 | 1 | 1 |
| 3 | 380920086-T040 | PACKING , JOINT | 1 | 1 | 1 | 1 |
| 4 | 380950188-T040 | CLIP , TUBE | 2 | 2 | 2 | 2 |
| 5 | 380750182-T110 | TUBE,FUEL | 1 | 1 | 1 | 1 |
| 6 | 380140091-0005 | BOLT , FLANGE ,M8×25 | 2 | 2 | 2 | 2 |
| 7 | 380370007-0004 | NUT , FLANGE ,8MM | 2 | 2 | 2 | 2 |
| 8 | 170500601-T086 | TANK COMP ., FUEL | 1 | 1 | - | - |
| | 170500627-T110 | TANK COMP ., FUEL | - | - | 1 | 1 |
| 9 | 170870040-T040 | CAP COMP ., FUEL FILLER | 1 | 1 | 1 | 1 |
| 10 | 173340001-T040 | CAP,FUEL FILLER | 1 | 1 | 1 | 1 |
| 11 | 170880020-T040 | PACKING , FUEL FILLER CAP | 1 | 1 | 1 | 1 |
| 12 | 170720001-T040 | FILTER , FUEL | 1 | 1 | 1 | 1 |



Starter motor

| No. | Part No. | Description | | | | |
|-----|------------------|-------------------------|-------|--------|-------|--------|
| | | | G270F | G270FD | G390F | G390FD |
| 1 | 270360018-T081 | STARTER MOTOR | - | 1 | - | - |
| | 270360019-T111 | STARTER MOTOR | - | - | - | 1 |
| 2 | 270820021-T111 | CONTACTOR ASSY | - | 1 | - | 1 |
| 3 | 270400001-T041 | WIRE , WATER COVER | - | 1 | - | 1 |
| 4 | 270810095-T111 | CONTACTOR ASSY AND WIRE | - | 1 | - | 1 |
| 5 | 380140167-0002 | BOLT-WASHER,5X12 | - | 2 | - | 2 |
| | SB0514-0000000DL | BOLT-WASHER,5X16 | - | 2 | - | 2 |
| 6 | 380140053-0002 | BOLT,FLANGE,8X35 | - | 2 | - | 2 |

